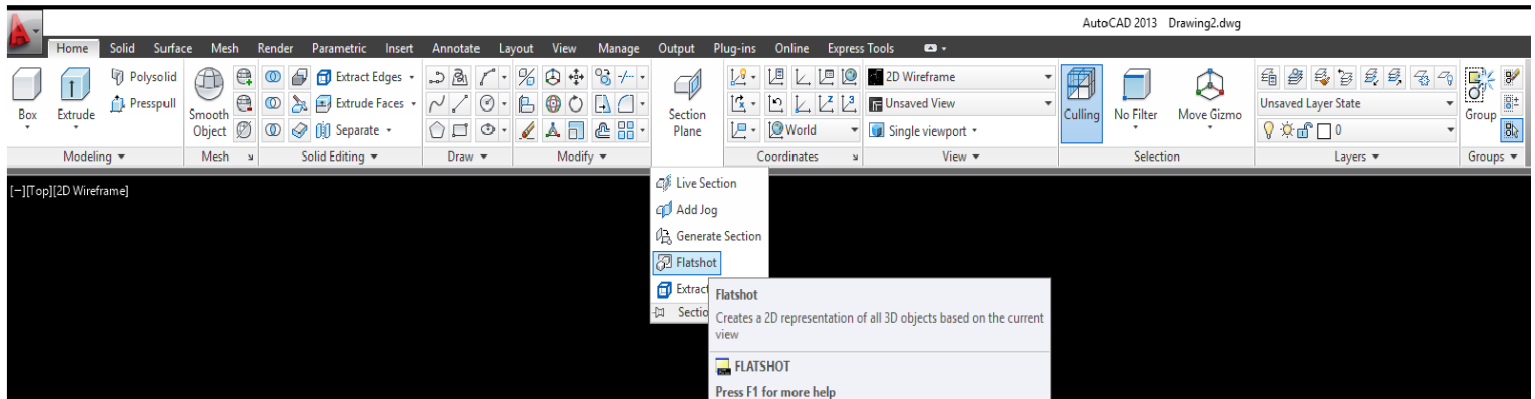


### FLATSHOT

Creates a 2D representation of all 3D objects based on the current view.

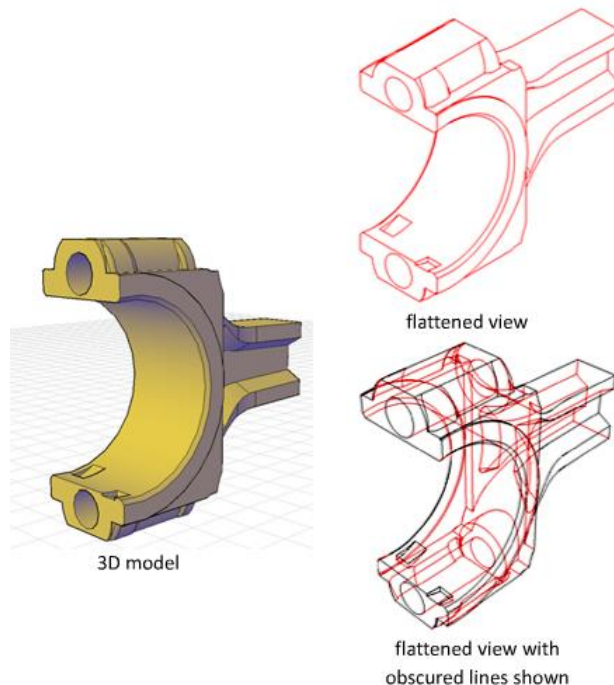
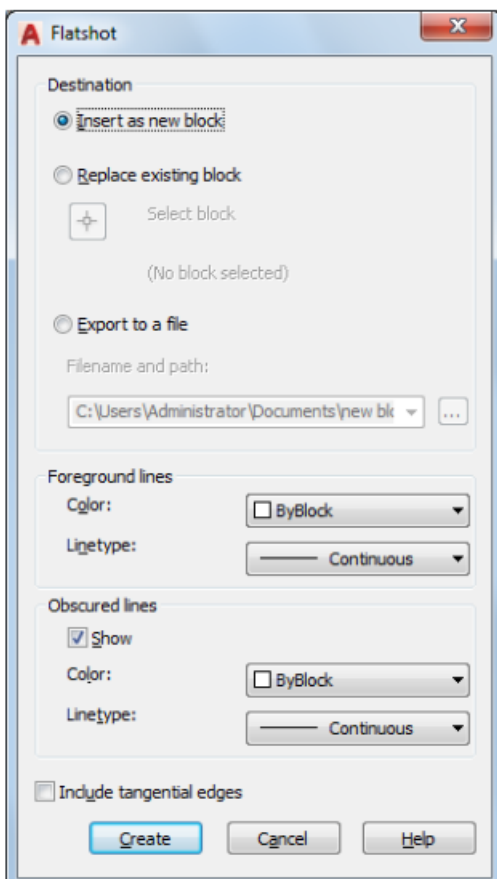
In 3D Modeling Workspace Click Home tab > Section panel > Flatshot  Find



Otherwise, Type: Flatshot in Command Line.

With the FLATSHOT command, you can create a flattened, 2D representation of the 3D model projected onto the XY plane. The resulting objects can be inserted as a block or saved as a separate drawing.

1. Create a 3D model, correct the view for which view making 2D from that model.
2. Type “UCS” command and Type “View” for making XY plane parallel to display.
3. Then, Use the Flatshot Command.



Prepared By: **Sujeesh Sajeevan (Mob : 67045061)**  
 More Details please contact: Focus CAD/BIM Team 2018-19  
[www.focuskuwait.org@gmail.com](mailto:www.focuskuwait.org@gmail.com)